



25 Years 1982-2007



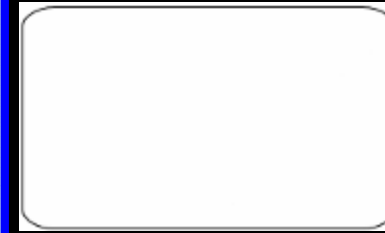
CALEDONIAN

FURNITURE + INTERIORS DESIGN AND BUILD



CCTV CONTROL

CCTV



July 07

CALEDONIAN FURNITURE
MANUFACTURING LTD

1



25 Years 1982-2007



CALEDONIAN

FURNITURE + INTERIORS DESIGN AND BUILD



CCTV CONTROL

Main Features of the Radii System

- ◆ Ergonomically Designed – Vision Zones.
- ◆ Excellent Install & Maintenance access.
- ◆ Flexible configuration - Moveable.
- ◆ High Space Utilisation figure – 92%.
- ◆ Welded Structure – Highly Stable.
- ◆ Excellent Ventilation – No Fans necessary.
- ◆ Low fire load – all steel.

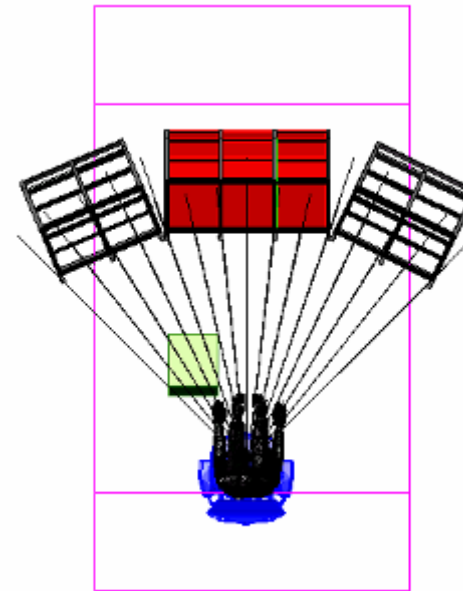
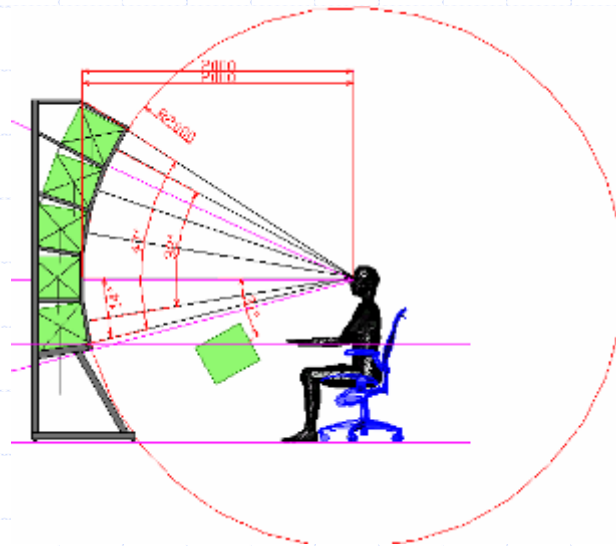


CALEDONIAN

FURNITURE + INTERIORS DESIGN AND BUILD



CALEDONIAN CCTV CONTROL ROOMS



View showing monitors within Cone of Vision.
Please call us for details of this design service.



25 Years 1982-2007



CALEDONIAN

FURNITURE + INTERIORS DESIGN AND BUILD



CCTV CONTROL



This illustration shows a 105 monitor bay as built in Streetwatch Glasgow



25 Years 1982-2007



CALEDONIAN

FURNITURE + INTERIORS DESIGN AND BUILD



CCTV CONTROL



This photo shows the 105 monitor bay in Streetwatch Glasgow



25 Years 1982-2007



CALEDONIAN

FURNITURE + INTERIORS DESIGN AND BUILD



CCTV CONTROL

This project is the CCTV Control Room for East Renfrewshire Council.

You can clearly see the open access at the back of the racks for maintenance and equipment checking.





25 Years 1982-2007



CALEDONIAN

FURNITURE + INTERIORS DESIGN AND BUILD



CCTV CONTROL

A smaller but very neat installation at Cube Housing Glasgow.

This system is designed to hold flat screen monitors.



CALEDONIAN CCTV CONTROL ROOMS



25 Years 1982-2007



CALEDONIAN

FURNITURE + INTERIORS DESIGN AND BUILD



CCTV CONTROL

These systems are designed for mini CCTV installations. Great for concierge, retail, leisure centre applications





25 Years 1982-2007



CALEDONIAN

FURNITURE + INTERIORS DESIGN AND BUILD



CCTV CONTROL



Caledonian Furniture Manufacturing Limited

15-17 Glencryan Road, Carbrain Industrial Estate,

Cumbernauld G67 2UH

Telephone : 0044 1236 735180

Facsimile : 0044 1236 734670

Contacts are Carol Valentine, Frank Soutar, Craig Lawrence